

# 15038PB (5915PC)

## AC Axial Fan / Metal Blades

# 150X<sup>Φ</sup>172X38<sup>L</sup>

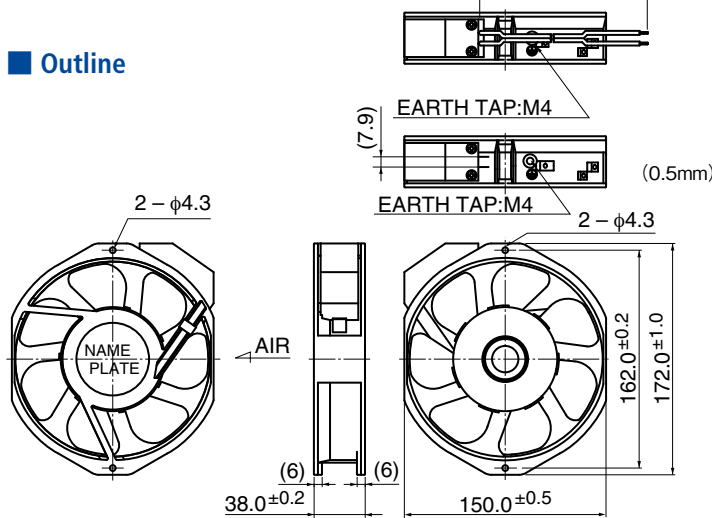


### General Specifications

Motor Structure	Capacitor-Run Induction Motor
Motor Protection	Thermal Protection
Insulation Resistance	Min 100MΩ by DC 500V Megger
Dielectric Withstand Voltage : AC1800V 3s	
Allowable Ambient Temperature Range	- 10°C ~ + 60°C (Operating) - 40°C ~ + 70°C (Storage) non-condensing environment

min 300(FROM CAPACITOR COVER)

### Outline



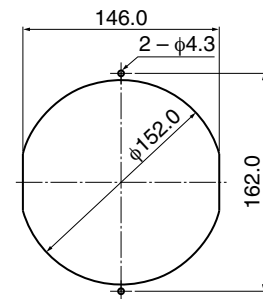
\* Only flange type casing is available.

### Expected Life ※ Failure Rate: 10% (L10 Life)

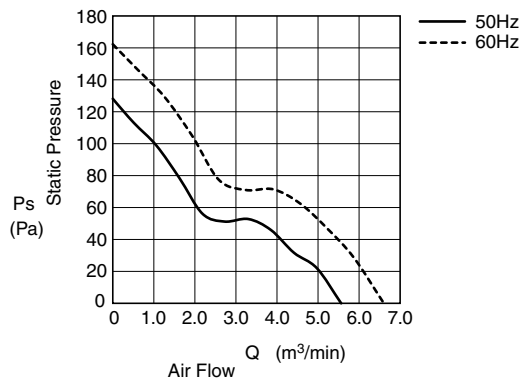
25°C 100,000 (Hours)

### Panel Out-cuts

(Inlet Side) / (Outlet Side)



### Characteristic Curves



### Material

Casing	: Aluminum (Black Painting)
Impeller	: Steel
Bearing	: Ball Bearing
Terminal	: Faston #110 or Equiv

\* Please inquire regarding the potting type (dust & oil-proof type).

Lead Wire type is also available.

Lead Wire : SPT-1 2X0.824mm<sup>2</sup> AWG18

### Specifications

Model	Rating Voltage	Frequency (Hz)	Starting Voltage (V)	Current (A)*2	Input Power (W) <sup>+10% -20%</sup>	Speed (min <sup>-1</sup> )*3	Max. Air Flow		Max. Static Pressure		Noise (dB)*1	Mass (g)
	(V)						(m <sup>3</sup> /min)*3	(CFM)*3	(Pa)*1	(In H <sub>2</sub> O)*1		
15038PB-A0L-EPS-0	100	50	65	0.530	42.0	2650	5.30	189.3	127.5	0.51	48.0	900
		60		0.450	40.0	3150	6.30	225.0	163.8	0.66	53.0	
15038PB-A1L-EPS-0	115	50	75	0.450	40.0	2650	5.30	189.3	127.5	0.51	48.0	
		60		0.400	38.0	3150	6.30	225.0	163.8	0.66	53.0	
15038PB-B0L-EPS-0	200	50	130	0.250	42.0	2650	5.30	189.3	127.5	0.51	48.0	
		60		0.230	40.0	3150	6.30	225.0	163.8	0.66	53.0	
15038PB-B2L-EPS-0	220	50	145	0.250	42.0	2650	5.30	189.3	127.5	0.51	48.0	
		60		0.230	40.0	3150	6.30	225.0	163.8	0.66	53.0	
15038PB-B3L-EPS-0	230	50	150	0.220	42.0	2650	5.30	189.3	127.5	0.51	48.0	
		60		0.200	40.0	3150	6.30	225.0	163.8	0.66	53.0	
15038PB-B4L-EPS-0	240	50	155	0.200	39.0	2650	5.30	189.3	127.5	0.51	48.0	
		60		0.200	39.0	3150	6.30	225.0	163.8	0.66	53.0	

Rotation: Counterclockwise as seen from the label side  
Airflow Outlet: Label side

\*1: Average Values in Free Air  
\*2: Maximum Values in Free Air  
\*3: Minimum Values in Free Air

# 15038PB (5915PC)

## AC Axial Fan / Plastic Blades

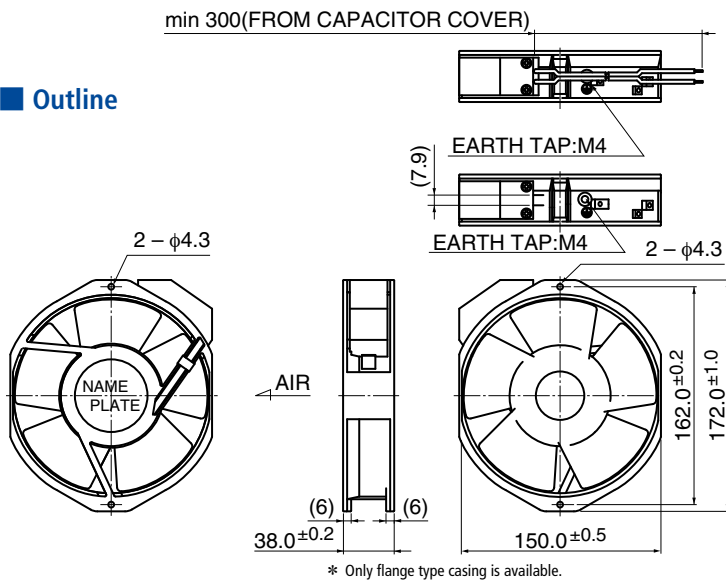
# 150X<sup>Φ</sup>172X38<sup>L</sup>



### General Specifications

- Motor Structure : Capacitor-Run Induction Motor
- Motor Protection : Thermal Protection
- Insulation Resistance : Min 100MΩ by DC 500V Megger
- Dielectric Withstand Voltage : AC1800V 3s
- Allowable Ambient Temperature Range : - 10°C ~ + 70°C (Operating)  
- 40°C ~ + 70°C (Storage)  
non-condensing environment

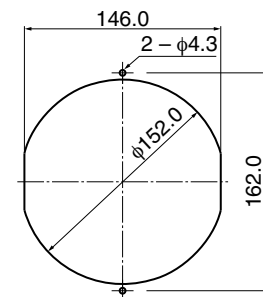
### Outline



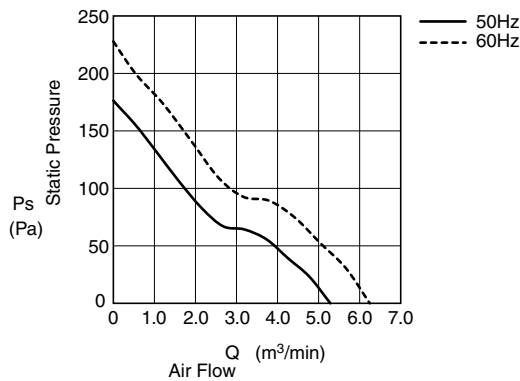
**Expected Life** ※ Failure Rate: 10% (L10 Life)  
25°C 100,000 (Hours)

### Panel Out-cuts

(Inlet Side) / (Outlet Side)



### Characteristic Curves



### Material

- Casing : Aluminum (Black Painting)
- Impeller : Plastic (Black) UL94V-0
- Bearing : Ball Bearing
- Terminal : Faston #110 or Equiv

\* Potting type (dust & water-proof type) is also available.

- Lead Wire type is also available.
- Lead Wire : SPT-1 2X0.824mm<sup>2</sup> AWG18

### Specifications

Model	Rating Voltage	Frequency	Starting Voltage	Current	Input Power	Speed	Max. Air Flow		Max. Static Pressure		Noise	Mass
	(V)	(Hz)	(V)	(A) <sup>*2</sup>	(W) <sup>+10% -20%</sup>	(min <sup>-1</sup> ) <sup>*3</sup>	(m <sup>3</sup> /min) <sup>*3</sup>	(CFM) <sup>*3</sup>	(Pa) <sup>*3</sup>	(In H <sub>2</sub> O) <sup>*3</sup>	(dB) <sup>*1</sup>	(g)
15038PB-A0L-EP-00 *5915PC-10T-B30-B00	100	50	65	0.470	37.0	2700	5.00	178.6	156.9	0.63	52.0	800
		60		0.440	33.0	3200	6.00	214.3	215.8	0.86	56.0	
15038PB-A1L-EP-00 *5915PC-12T-B30-A00	115	50	75	0.380	35.0	2700	5.00	178.6	156.9	0.63	52.0	
		60		0.360	32.0	3200	6.00	214.3	215.8	0.86	56.0	
15038PB-B0L-EP-00 *5915PC-20T-B30-B00	200	50	130	0.230	34.0	2700	5.00	178.6	156.8	0.63	52.0	
		60		0.210	33.0	3200	6.00	214.3	215.6	0.86	56.0	
15038PB-B2L-EP-00 *5915PC-22T-B30-B00	220	50	145	0.210	40.0	2700	5.00	178.6	156.9	0.63	52.0	
		60		0.180	38.0	3200	6.00	214.3	215.8	0.86	56.0	
15038PB-B3L-EP-00 *5915PC-23T-B30-A00	230	50	145	0.190	35.0	2700	5.00	178.6	157.0	0.63	52.0	
		60		0.180	35.0	3200	6.00	214.3	215.8	0.86	56.0	
15038PB-B4L-EP-00 *5915PC-24T-B30-A00	240	50	155	0.180	34.0	2700	5.00	178.6	156.9	0.63	52.0	
		60		0.170	34.0	3200	6.00	214.3	215.7	0.86	56.0	

Rotation: Counterclockwise as seen from the label side  
Airflow Outlet: Label side  
\* Legacy Part Number

\*1: Average Values in Free Air  
\*2: Maximum Values in Free Air  
\*3: Minimum Values in Free Air